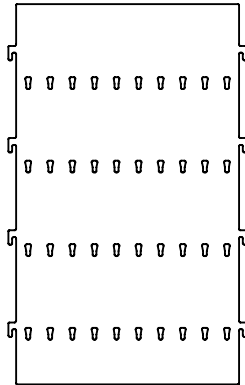


# #18499, #18500 Floor Standing Champagne Display

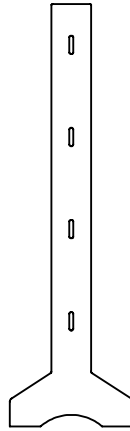
## ASSEMBLY INSTRUCTIONS

READ ALL INSTRUCTIONS BEFORE YOU BEGIN. DO NOT JUMP AHEAD OF ANY STEP.

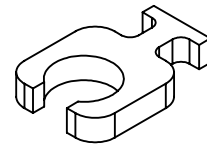
### PARTS LIST:



**MAIN PANEL**  
(1 pc)



**SIDE PANEL**  
(2 pcs)

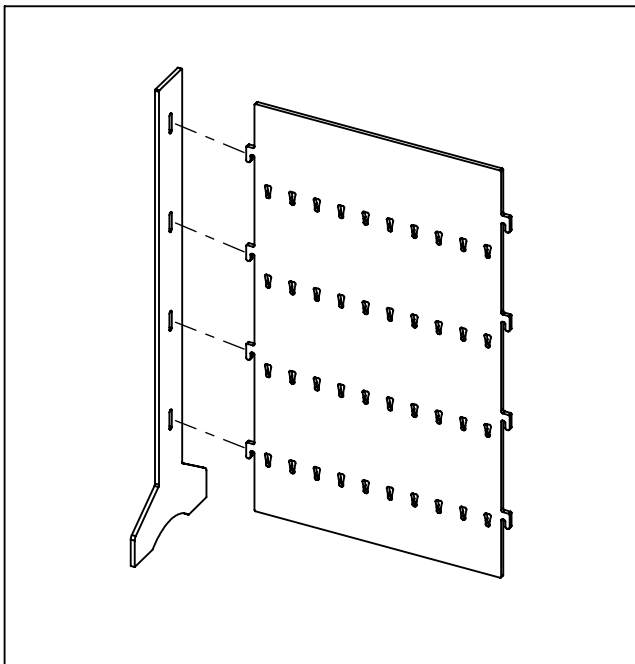


**HOLDER**  
18499 - 40x  
18500 - 20x

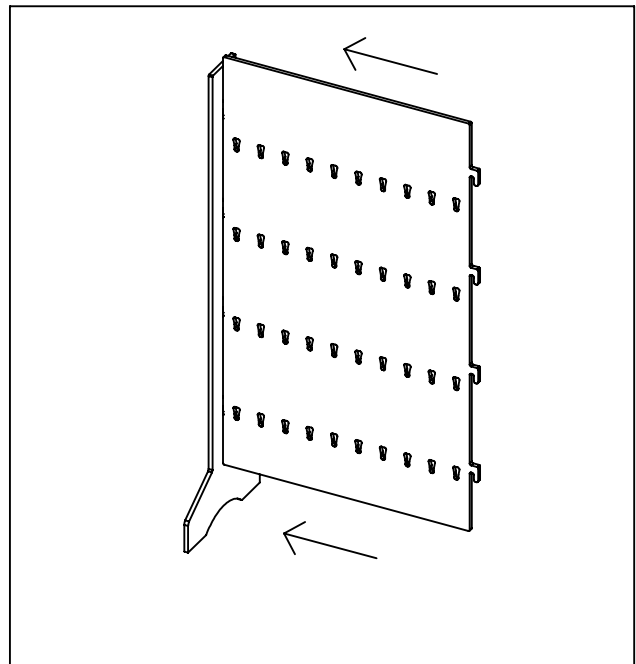
**\*Recommended: 2 Person Assembly**

\*\*RECOMMENDED TOOLS: RUBBER Mallet (Sold Separately)

**STEP 1:** On an even flat surface stand the Main Panel upright as shown below. Align the hooks on one Side Panel with the corresponding slots on the Back Panel.



**STEP 2:** Insert the hooks of the Main Panel into the slots on the Side Panel, as shown below.



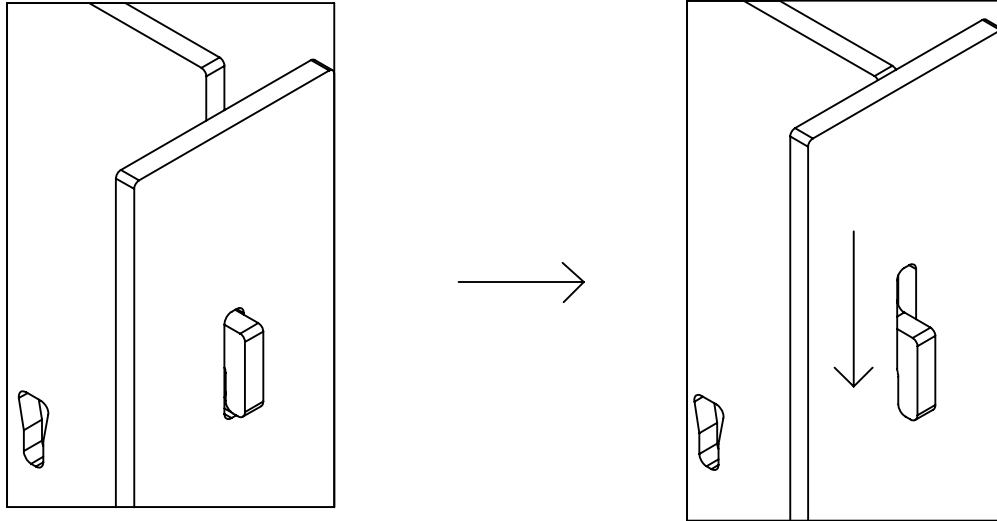
# #18499, #18500 Floor Standing Champagne Display

page 2 of 4

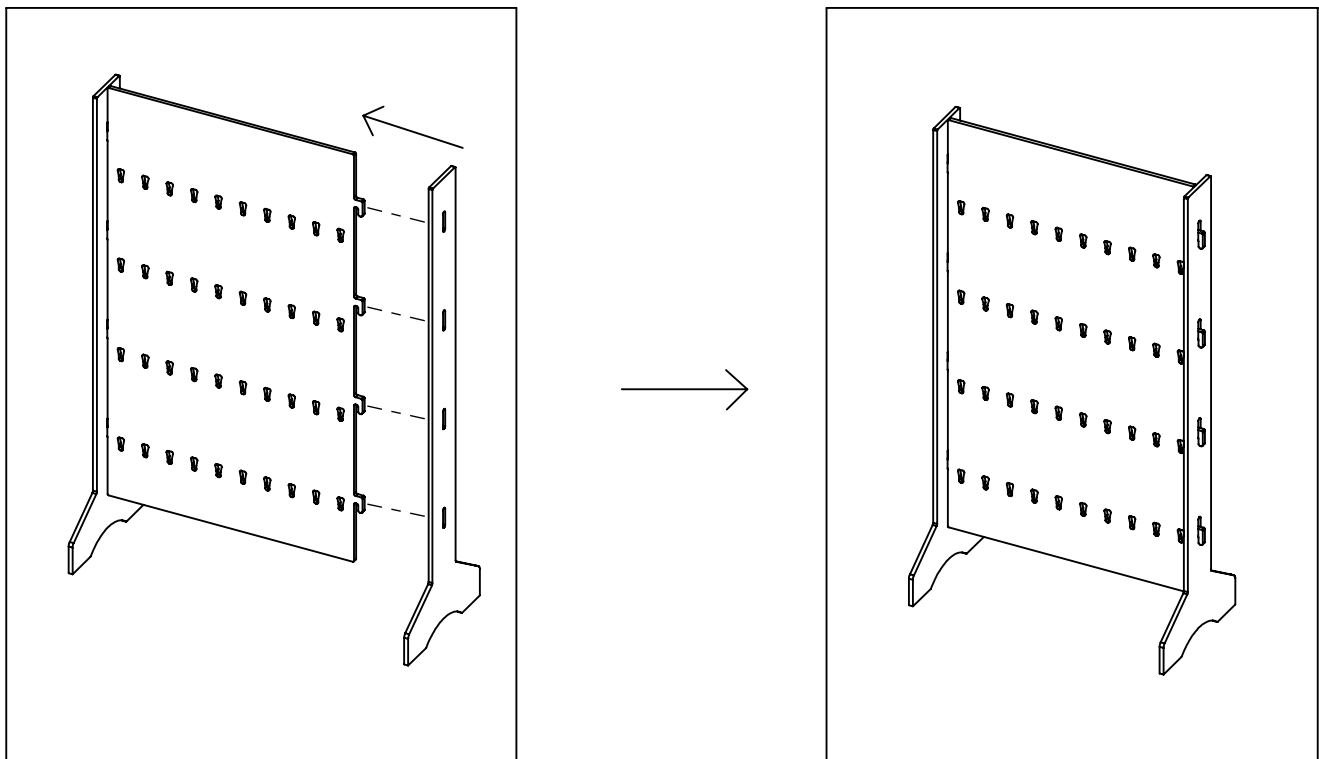
## ASSEMBLY INSTRUCTIONS

READ ALL INSTRUCTIONS BEFORE YOU BEGIN. DO NOT JUMP AHEAD OF ANY STEP.

**STEP 3:** Slide the hooks of the Main Panel down into the slots of the Side Panel until the hooks are locked into place.



**STEP 4:** Repeat STEPS 1-3 to install the remaining Side Panel.



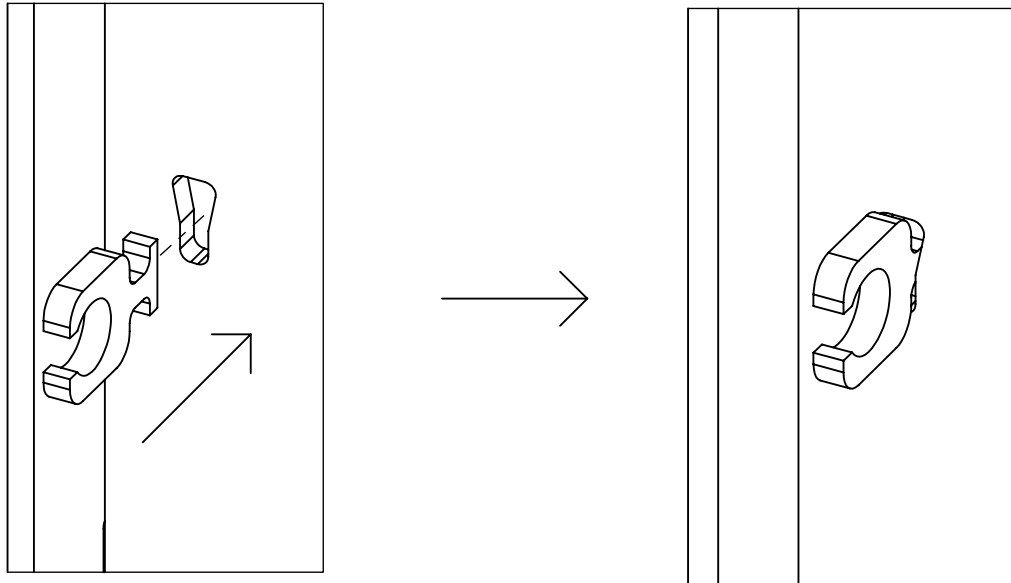
# #18499, #18500 Floor Standing Champagne Display

page 3 of 4

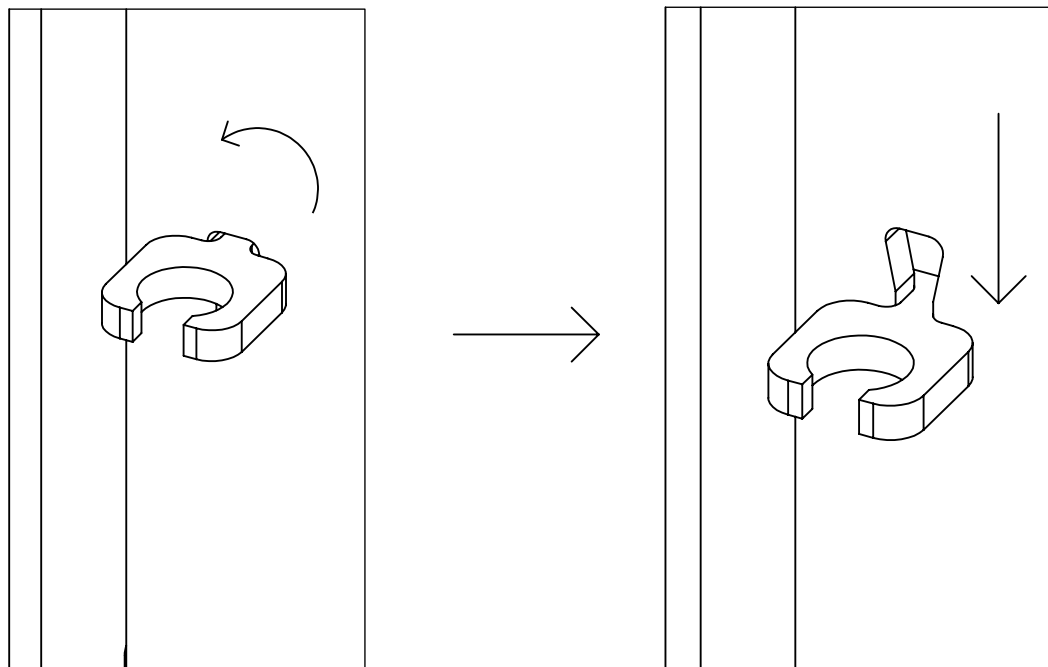
## ASSEMBLY INSTRUCTIONS

READ ALL INSTRUCTIONS BEFORE YOU BEGIN. DO NOT JUMP AHEAD OF ANY STEP.

**STEP 5:** Insert Holder into slots on Main Panel by holding the piece perpendicular to the ground.



**STEP 5:** Rotate Holder 90 degrees and in the upper end of the slot and then slide down into place. Repeat process for all Holders.



**ASSEMBLY INSTRUCTIONS**

**READ ALL INSTRUCTIONS BEFORE YOU BEGIN. DO NOT JUMP AHEAD OF ANY STEP.**

## ASSEMBLY COMPLETED

